



CHICO SELF-PROPELLED SPRAYER

This self-propelled greenhouse sprayer is designed for precise spraying in narrow tunnels and confined greenhouse rows.

Its compact dimensions, 4x4 drive, and high spraying reach ensure efficient coverage of tall crops with excellent maneuverability.



- ✓ **ULTRA-COMPACT 65 CM WIDTH**
- ✓ **TANK 200L**
- ✓ **SPRAYING HEIGHT UP TO 4.5 M**
- ✓ **SPRAYING WITH OR WITHOUT AIRFLOW**
- ✓ **RELIABLE KUBOTA ENGINE**

TECHNICAL INFORMATION

DIMENSIONS

Length	2.5 m
Machine width	0.7 m (with optional balloon wheels - 0.8 m)
Tire width	17 cm
Spraying height	Up to 4.5 m
Fan diameter	400 mm
Number of fan blades	10
Minimum turning radius	1.5 m
Tank capacity	200 L
Diesel tank	20 L
Machine weight	700 kg

SPRAYING SYSTEM

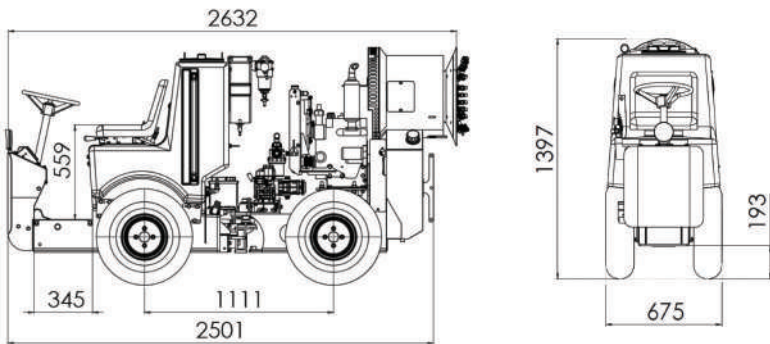
Number of nozzles	26
Nozzle type	Conical, 80° angle
Number of arches	2
Spray control type	Mechanical
Valve type	Mechanical
Airflow speed	40 m/s
Airflow height	Up to 4 m
Pump	Diaphragm 30 L/min

COMPONENTS

Engine	Kubota, 3-cylinder (Japan)
Engine power	21 HP (PTO)
Drive system	Hydraulic 4x4 with 50/50 flow distribution
Pump	Bertolini (Italy) PA330.1 VF
Lights	Front and rear
Wheels	Balon/Tractor/Tzar

MATERIALS

Machine frame	Steel with anti-corrosion coating
Tank body	Polyvinyl chloride (PVC)
Hoses	PVC



DEGANIA SPRAYERS LTD.
 COMPANY ID: 512584137
 ADDRESS: KIBBUTZ DEGANIA B,
 JORDAN VALLEY, ISRAEL
 POSTAL CODE: 1513000



SALES: +972-54-7731684
 CUSTOMER SERVICE: +972-4-6655000
 PARTS STORE: +972-54-7731711
 SERVICE CENTER/SOUTH: +972-54-7731689
 SERVICE NORTH: +972-54-7731805